



Santa Maria

WATER DISTRICT

SUPPLEMENTAL/ BID BULLETIN SBB2021-008

“PROCUREMENT OF BRASS AND GALVANIZED IRON (GI) FITTINGS REQUIREMENT OF SMWD FOR CY 2021”

Identification No. PB2021-SMWD-G-009

In accordance with Section 22.5.2 of IRR of RA No. 9184, the SMWD-BAC is issuing this Supplemental/Bid Bulletin No. SBB2021-008 to make an addendum to the bidding documents.

ADDENDUM:

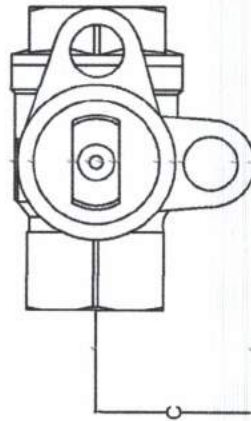
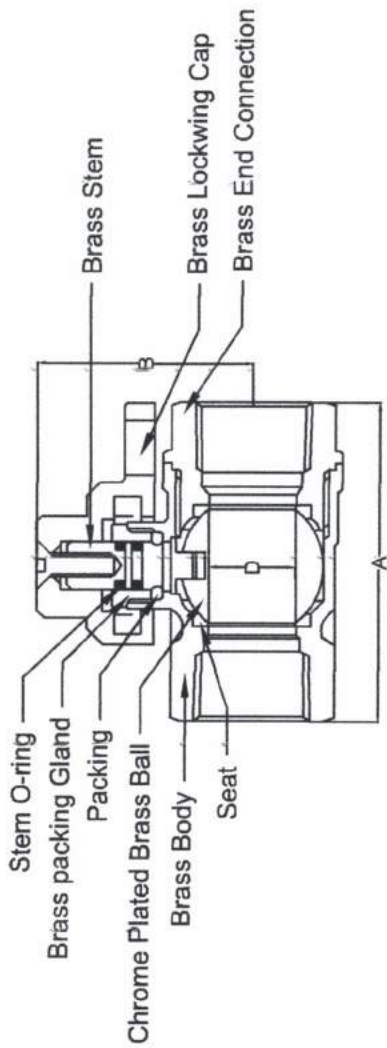
1. The bidders are required to bring sample of fittings in the Schedule of Requirements. One each for every kind of fittings, no need to bring all sizes for a particular fittings. Example: Nipple ½ x 2 (enough for nipple, no need to bring all sizes of nipple).
2. The Drawings are being provided as part of the Technical Specifications (hereto attached in this Supplemental/Bid Bulletin).
3. SCHEDULE OF REQUIREMENTS:

	FROM	TO
Item No. 8	WATER FAUCET 1/2" - brass type	WATER FAUCET 1/2" - brass type with thread
Item No. 52	S/S COUPLING 1/2"	S/S COUPLING 1/2" with inside thread

This SUPPLEMENTAL/BID BULLETIN, is issued this 12th day of April 2021 to make an additional requirement and to provide the drawings as part of technical specifications.

For the guidance and information of all interested bidders.


MARIA LEONORA S. ROMARATE
Bids and Award Committee-Chairman



Size	DN	A (in)	B (in)	C (in)	D (in)
1/2"	15	2.08	1.87	1.08	0.59
3/4"	20	2.45	1.87	1.08	0.79
1"	25	3.11	2.24	1.30	0.97

STANDARD SHOP DRAWING
BRASS BALL VALVE
 (with LOCK WING)

SANTA MARIA WATER DISTRICT

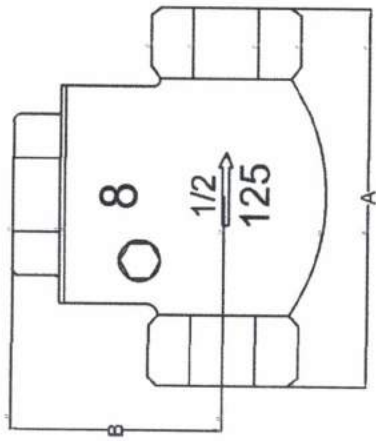
Prepared By:
 Engr. Gerson L. Francisco
 Senior Engineer A

Checked and Verified By:
 Engr. Enrique A. de Vera
 Department Manager B

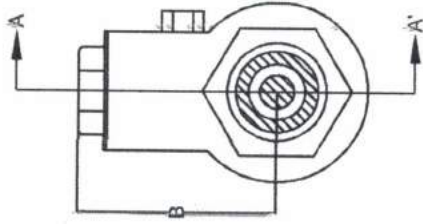
Approved By:
 [Signature]
 Engr. Carlos N. Santos, Jr.
 General Manager

SHEET NO.

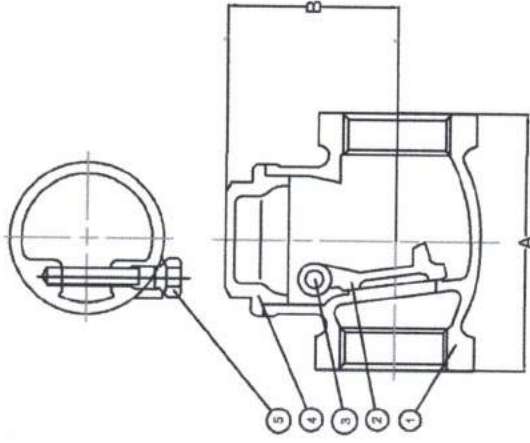
1



FRONT VIEW



SIDE VIEW



SECTION VIEW A-A'

No.	Component	Material
1.	Body	Cast Bronze
2.	Disc	Forged Brass
3.	Hinge Pin	Forged Brass
4.	Cap	Forged Brass
5.	Plug	Brass Rod

Size	DN	A (mm)	B (mm)	Weight (kg)
1/2"	15	60	39	0.26
3/4"	20	70	45	0.37
1"	25	80	52	0.64
1 1/4"	32	92	62	0.92
1 1/2"	40	102	67	1.26
2"	50	122	79	1.95

STANDARD SHOP DRAWING

BRASS CHECK VALVE
(SWING TYPE)

STA. MARIA WATER DISTRICT

Check and Verified By:

Engr. Emmanuel Mirco A. de Vera
Department Manager B

Prepared By:

Engr. Gerson L. Francisco
Senior Engineer A

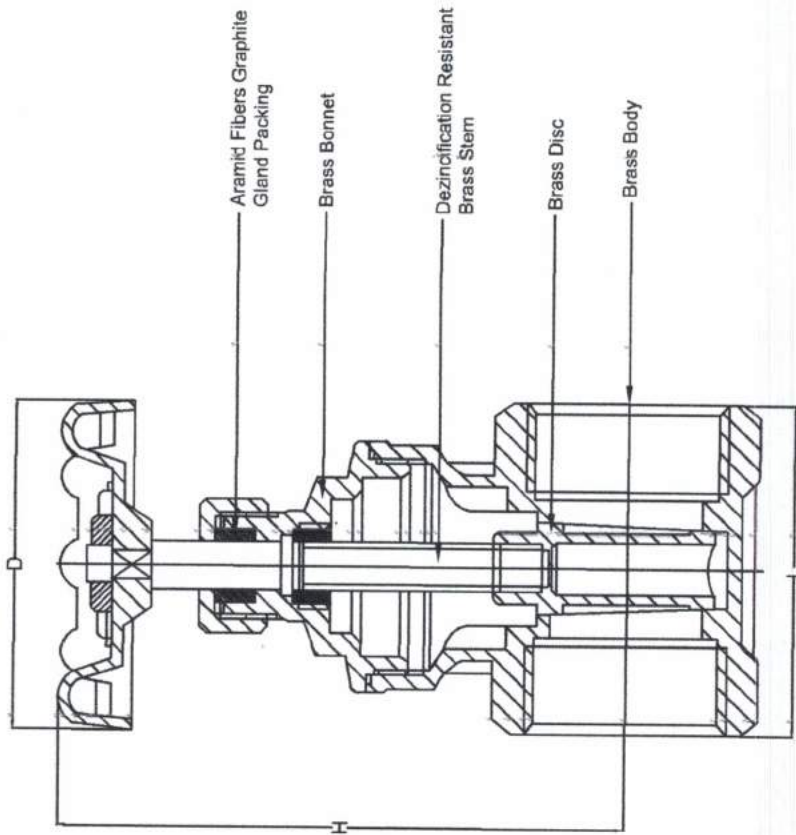
Approved By:

Engr. Carlos N. Santos, Jr.
General Manager

SHEET NO.

2

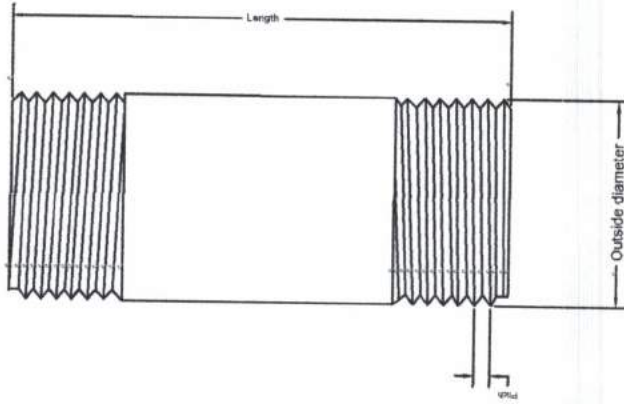
4/12/14



Nominal Size	Inch	1/2	1	1 1/2	2
	mm	15	25	40	50
L Threaded end to end		42	50	63	72
H Height, valve open		73	97	126	154
D Handwheel diam.		50	60	80	90

STANDARD SHOP DRAWING	SANTA MARIA WATER DISTRICT	SHEET NO. 3
Prepared By: Engr. Gerson L. Francisco Senior Engineer A	Checked and Verified By: <i>[Signature]</i> Engr. Eusebio Department Manager B	Approved By: <i>[Signature]</i> Engr. Carlos N. Santos, Jr. General Manager
BRASS GATE VALVE		

4/12/21



Nominal Size	O.D. (mm)	Pitch (mm)	Thickness (mm)
1/4"	13.052	1.716	1.592
1/2"	21.276	3.076	3.028
3/4"	27.824	2.824	3.12
1"	33.72	2.156	3.268
1 1/2"	48.592	2.376	4.088

STANDARD SHOP DRAWING
 GALVANIZED IRON NIPPLE
 (SCHEDULE 40, STANDARD)

SANTA MARIA WATER DISTRICT

Prepared By: *[Signature]*
 Engr. Gerson L. Francisco
 Senior Engineer A

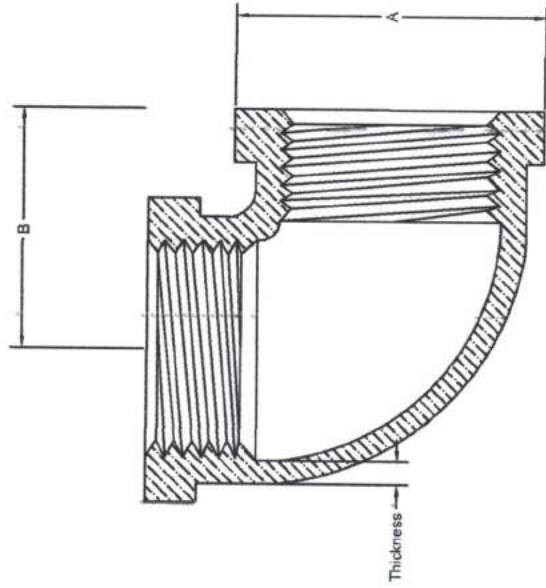
Checked and Verified By: *[Signature]*
 Engr. Emmanuel Emico A. de Vera
 Department Manager B

Approved By: *[Signature]*
 Engr. Carlos N. Santos, Jr.
 General Manager

SHEET NO.

4

4/12/21



Nominal Size	A (mm)	B (mm)	Thickness
1/2"	31.164	28.806	7.112
3/4"	39.088	31.942	7.276
1"	46.136	37.35	9.268

STANDARD SHOP DRAWING
 GALVANIZED IRON ELBOW
 (SCHEDULE 40, STANDARD)

SANTA MARIA WATER DISTRICT

Prepared By:
 Engr. Gersch, Francisco
 Senior Engineer A

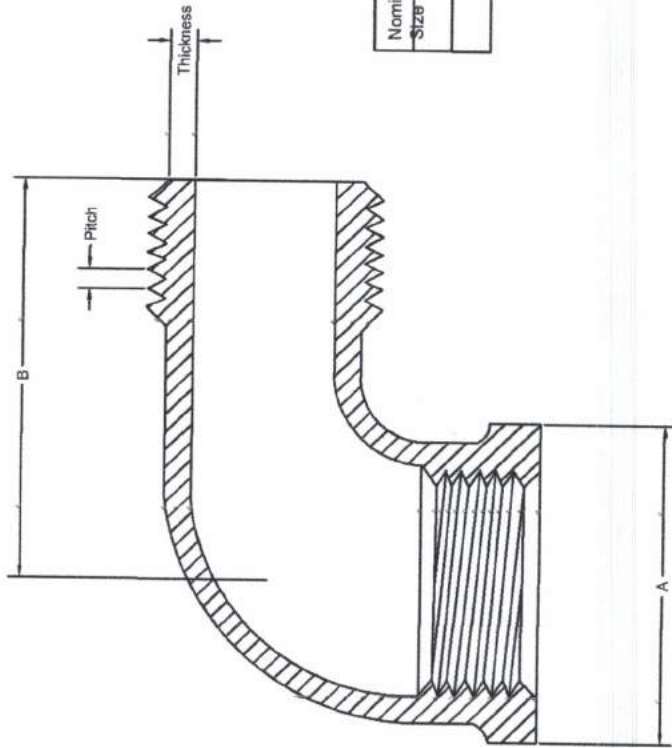
Checked and Verified By:
 Engr. Emyr Manuel Elizondo de Vera
 Department Manager B

Approved By:
 Engr. Carlos N. Santos, Jr.
 General Manager

SHEET NO.

5

4/12/21



Nominal Size	A (mm)	B (mm)	Thickness (mm)	Pitch (mm)
1/2"	31.584	41.33	6.936	2.256
1"	46.084	41.398	8.768	2.5

STANDARD SHOP DRAWING
 GALVANIZED IRON STREET ELBOW
 (SCHEDULE 40, STANDARD)

Prepared By:
 Engr. Garson L. Francisco
 Senior Engineer A

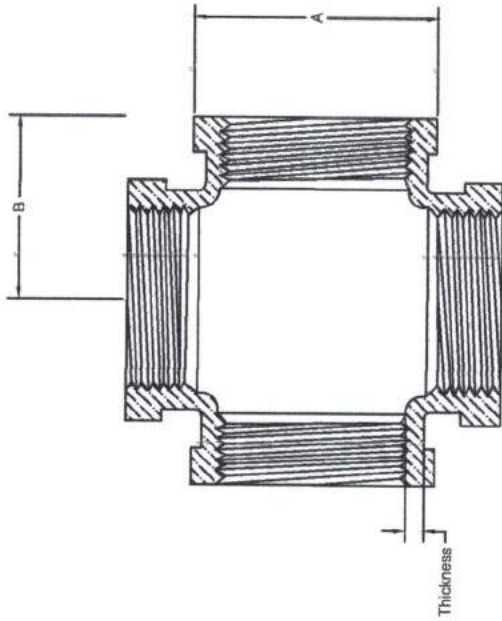
Checked and Verified By:
 Engr. Emmanuel Enrico A. De Vera
 Department Manager B

Approved By:
 Engr. Carlos N. Santos, Jr.
 General Manager

SHEET NO.

6

4/2/11



Nominal Size	A (mm)	B (mm)	Thickness (mm)
1"	46.724	37.95	8.928

STANDARD SHOP DRAWING
 GALVANIZED IRON CROSS TEE
 (SCHEDULE 40, STANDARD)

SANTA MARIA WATER DISTRICT

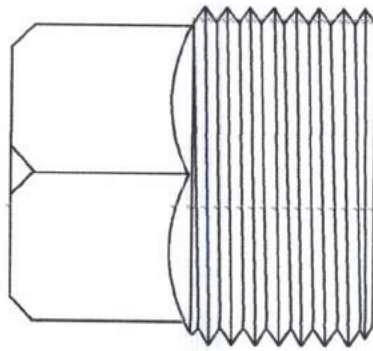
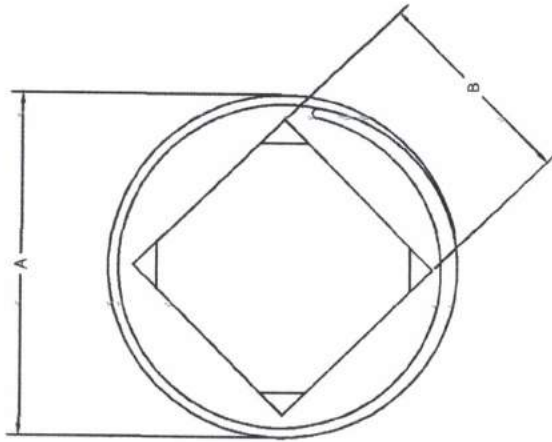
Prepared By:
 Engr. Garson L. Francisco
 Senior Engineer

Checked and Verified by:
 Engr. Emmanuël Enrico A. de Vera
 Department Manager B

Approved by:
 Engr. Carlos N. Santos, Jr.
 General Manager

SHEET NO.

7



Nominal Size	A (mm)	B (mm)	Pitch (mm)	Thickness (mm)
1/2"	21.276	14.084	3.296	5.86
3/4"	26.094	16.008	2.152	6.356
1"	33.608	21.248	2.6	6.064
1 1/2"	48.132	26.004	2.6	6.064

STANDARD SHOP DRAWING
 GALVANIZED IRON PLUG
 (SCHEDULE 40, STANDARD)

Prepared By:
 Engr. Gerson L. Francisco
 Senior Engineer A

SANTA MARIA WATER DISTRICT
 Checked and Verified By:
 Engr. Emilio Antonio A. de Vera
 Department Manager B

Approved By:
 Engr. Carlos N. Santos, Jr.
 General Manager

SHEET NO.
 8

Handwritten initials